

Safety valves PV

They are used for the hydraulic circle protection against overloading, to keep adjusted pressure inside the circle or they can be used as one-way two positions pressure controlled distributors.

Technical data

	PV 20	PV 32	PV 32-03/1,3Y
Nominal flow (dm ³ .min ⁻¹)	160	400	400
Nominal pressure (Mpa)	32	32	-
Maximum pressure (Mpa)	35	35	-
Maximum pressure in waste (Mpa)	2	2	2
Adjusting pressure scale (Mpa)	6-32	5-32	1,3
Weight (kg)	8,5	14	14
Min. adjusting pressure (Mpa)	-	-	0,8



Safety high-pressure valves PVV

They are used for the hydraulic circle protection against pressure exceeding.

Technical data

	PVV 20	PVV 25	PVV 32	PVV 40
Nominal flow P _n (dm ³ .min ⁻¹)	100	160	250	320
Nominal pressure Q _n (Mpa)	16	16	16	16
Adjusting pressure scale (Mpa)	3-25	3-25	4-25	5-25



Two-branched valves DPV

They are used for the hydraulic circle protection against pressure overloading of two branches of a hydraulic circle and releasing of excessive fluid either from one or second branch into waste.

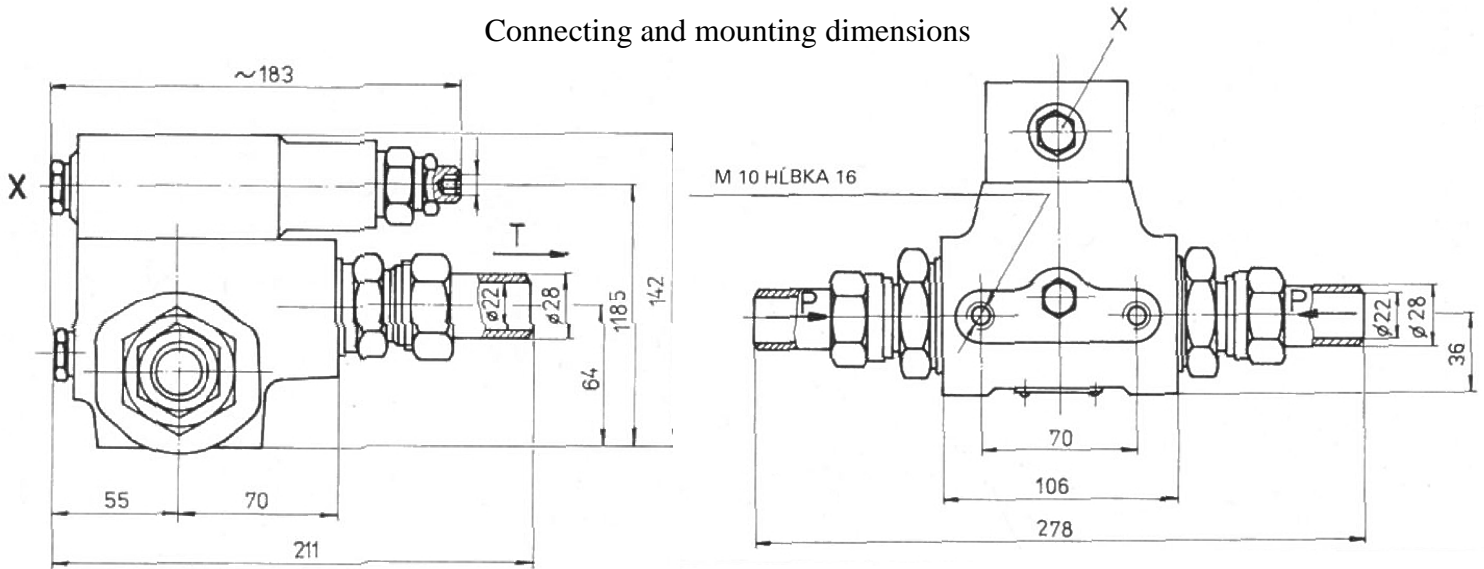
Technical data

	DPV 20	DPV 25
Nominal flow P _n (dm ³ .min ⁻¹)	100	160
Nominal pressure Q _n (Mpa)	16	16
Adjusting pressure scale (Mpa)	3-25	3-25

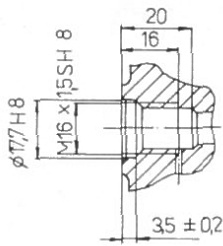


Safety valves PV 20

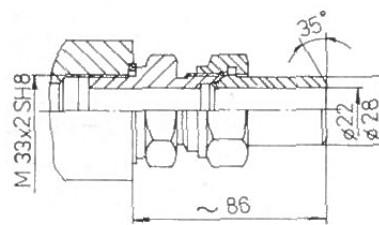
Connecting and mounting dimensions



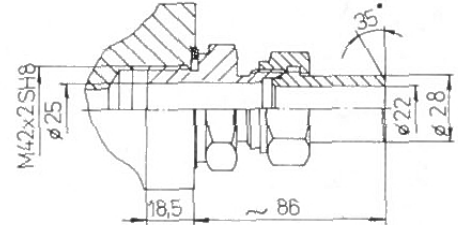
Connector "X"



Connector "T"



Connector "P"



Safety high-pressure valves PVV 25

Two-branched valves DPV 20

