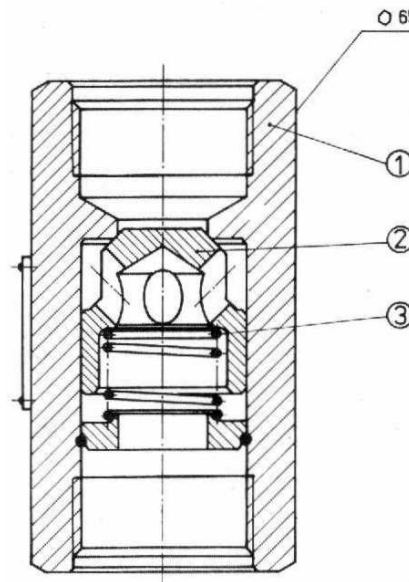


One - way valves ZV



Hydraulic diagram:



Brief description and their function :

Inside the valve body, there is a seat (1), into which is the cone (2) pushed by spring (3). The spring closes the cone also at zero flow. Valve opening pressure is adjusted by change of stiffness of the spring. The body is made for threaded or flanged joint. Flow direction design the arrow on the valve body.

ZV are destined for permanent usage in hydraulic circles working at high pressure. They cause minimum resistance in the flow direction. A branch is closed against flow direction.

Valves with low opening pressure (0,05MPa) are used for by-pass of throttling parts or to simple shutdown of flow direction. Valves with higher opening pressure (0,3MPa) are used for filters by-pass, etc.

TECHNICAL DATA :

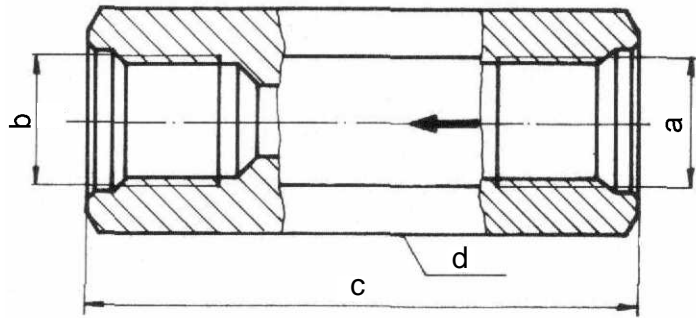
	measurement	size				
		ZV 16	ZV 20	ZV 25	ZV 32	ZV 40
Diameter inside the valve	mm	16	20	25	32	40
Nominal flow	dm ³ min ⁻¹	100	160	250	400	600
Nominal pressure	MPa	32				
Maximum pressure	MPa	40				
Optional opening pressure	MPa	0,05 - 0,1 - 0,3				
Flow temperature scale	°C	-40 ÷ +80				
Environment temperature scale	°C	-40 ÷ +80				
Filtration tenderness	µm	25				
Weight	kg	1	2	2,5		

The object of the delivery :

The object of the delivery is assembled and tested one-way valve. The confirmation about quality and completeness of the product is attached.

ORDER EXAMPLE :

20 pcs one-way valve ZV 16-11

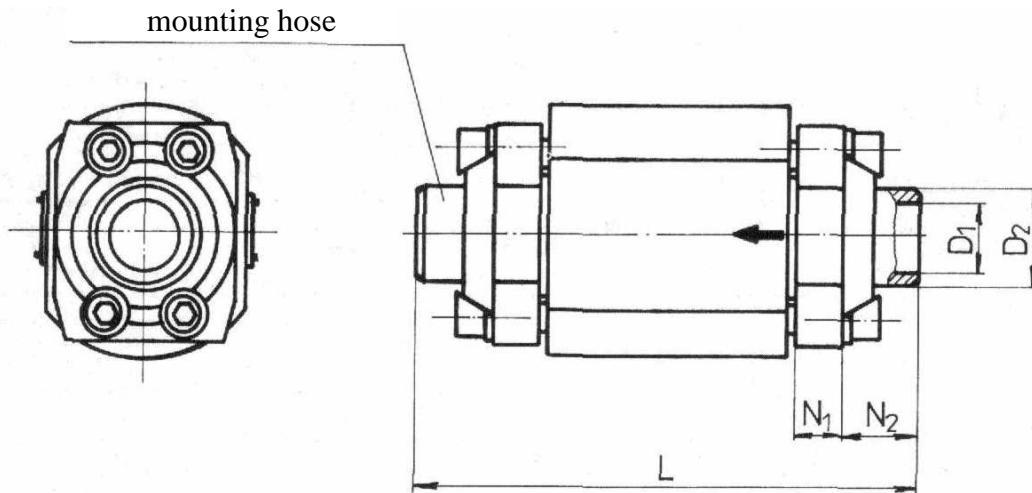


Mounting and assembling dimensions

Valve type :

ZV 16 - 01, ZV 16 - 02, ZV 16 - 03
 ZV 20 - 01, ZV 20 - 02, ZV 20 - 03
 ZV 25 - 01, ZV 25 - 02, ZV 25 - 03

ZV	a	b	c	d
ZV 16	M 33 x2	M 32 x2	110	46
ZV 20	M 42 x2	M 42 x2	132	55
ZV 25	M 48 x2	M 48 x2	134	65



Valve type			D ₁	D ₂	N ₁	N ₂	L
ZV 20 - 11	ZV 20 - 12	ZV 20 - 13	20	30	29	16	163
ZV 25 - 11	ZV 25 - 12	ZV 25 - 13	26	38	39	16	194
ZV 32 - 11	ZV 32 - 12	ZV 32 - 13	32	44	39	21	226
ZV 40 - 11	ZV 40 - 12	ZV 40 - 13	38	51	44	21	256